

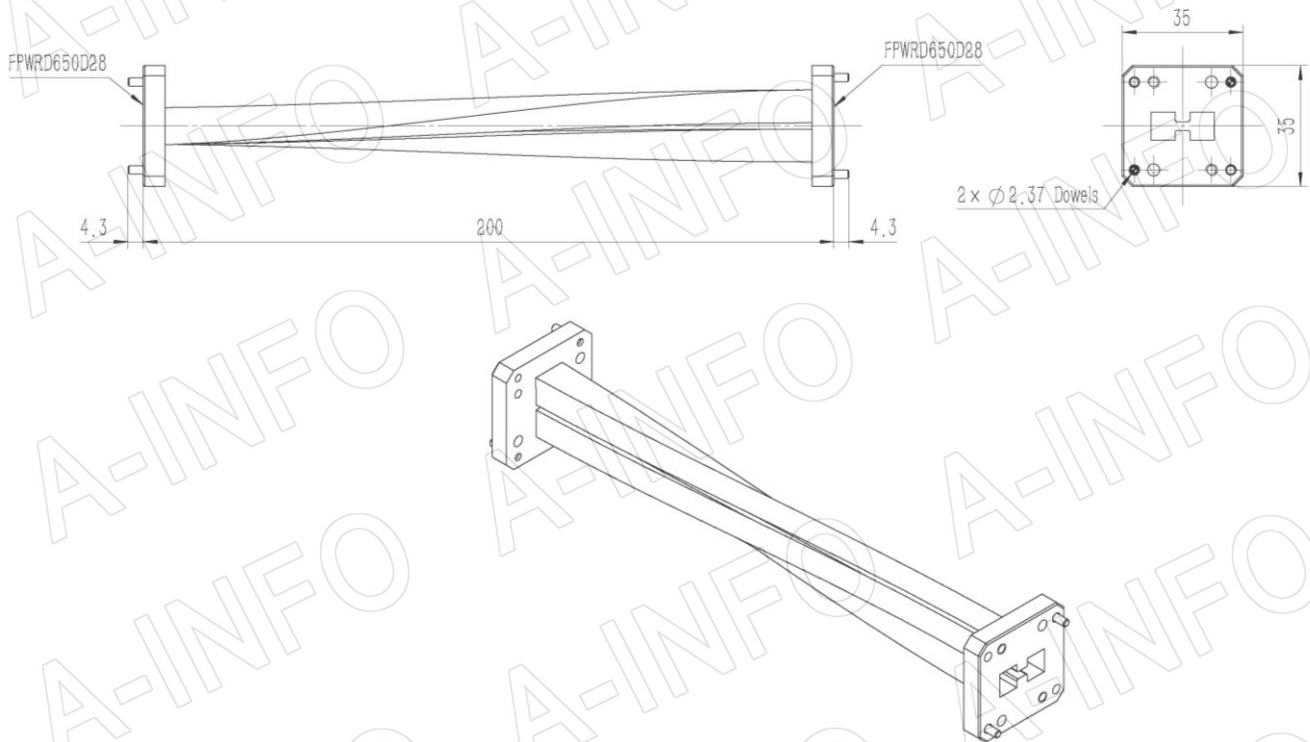
For reference only. See data sheet for the detailed specifications.

## Technical Specification



EIA WR	WRD650
Frequency Range(GHz)	6.5 – 18.0
Length(mm)	200
Insertion Loss(dB)	0.2 Max.
VSWR	1.25:1 Max.
Flange	FPWRD650D28
Material	Cu
Size(mm)	200 x 35 x 35
Net Weight(Kg)	0.25 Around

## Outline Drawing (Size: mm)



AINFO Inc.

Page 1 of 3

China(Beijing): Tel: (+86) 10-6266-7326,  
 China(Chengdu): Tel: (+86) 28-8519-2786,  
 USA: Tel: (+1) 949-639-9688,

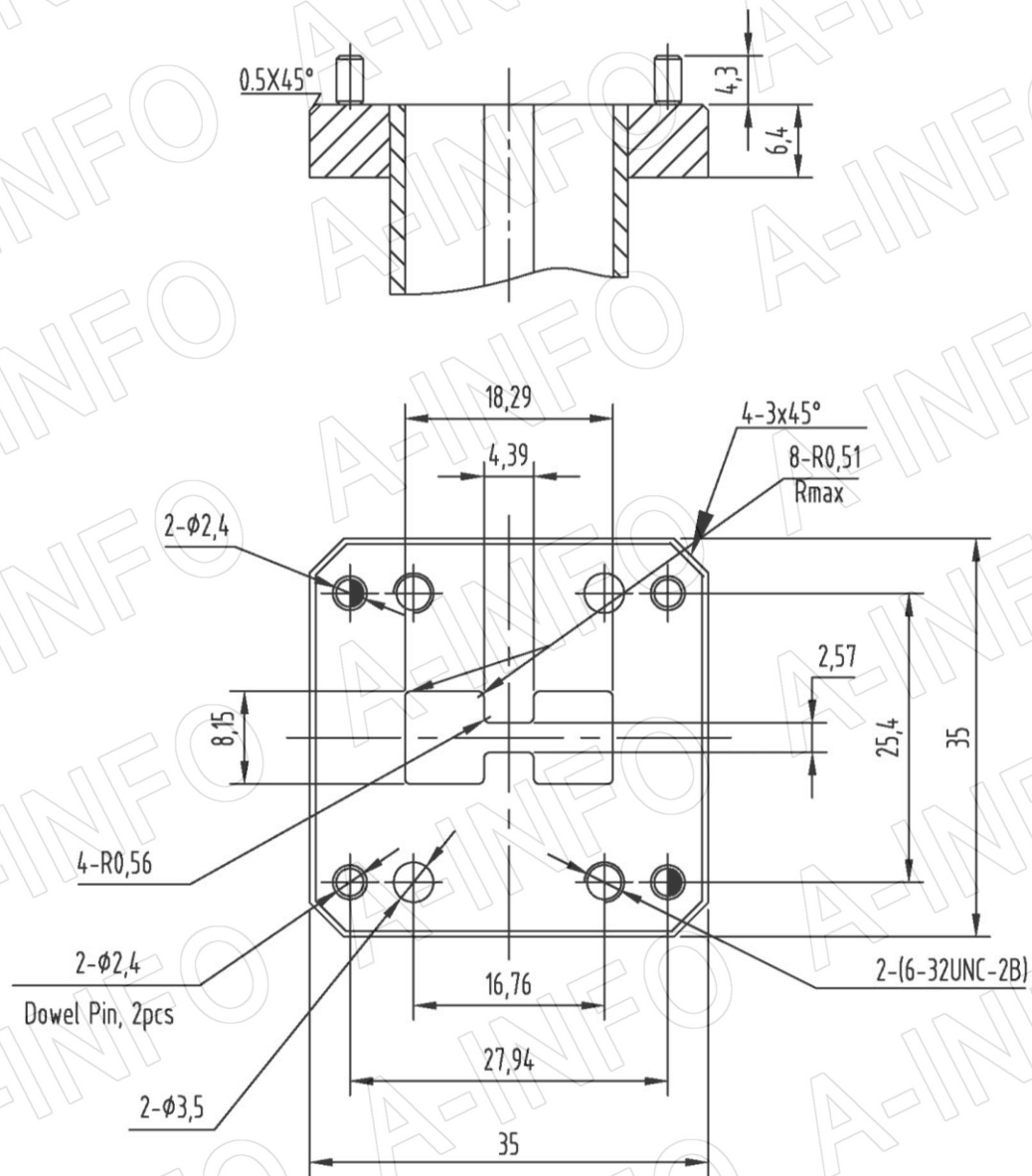
(+86) 10-6266-7327 Fax: (+86) 10-6266-7379  
 (+86) 28-8519-3044 Fax: (+86) 28-8519-3068  
 (+1) 949-639-9608 Fax: (+1) 949-639-9670

Website: [www.ainfoinc.com](http://www.ainfoinc.com)  
 Email: [sales@ainfoinc.com](mailto:sales@ainfoinc.com)

## Flange Drawing (Size: mm)

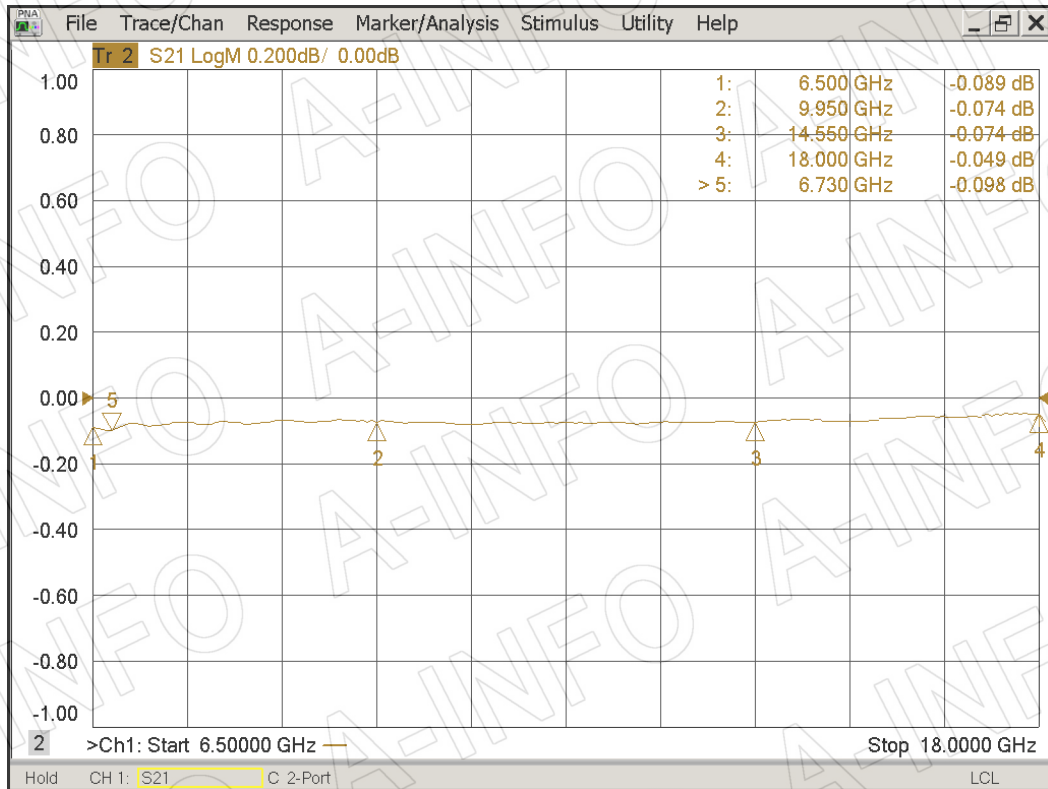
# FPWRD650D28

(With two through mounting holes  
and two screws holes)



## Test Results

I.L.



VSWR

